

Samilpower

Wiring

The inverter is connected to the SolarLog using a selfmade data cable. The inverter provides two RJ11 connectors to establish the data connection.

As the Inverter uses 4 Data Lines, it needs to be connected to the 6 Pin RS422/RS485-B Port on the SolarLog

The Inverter Bus Address will be set by the SolarLog and can not be entered manually on the inverter.



Figure 1: Solar River Inverter

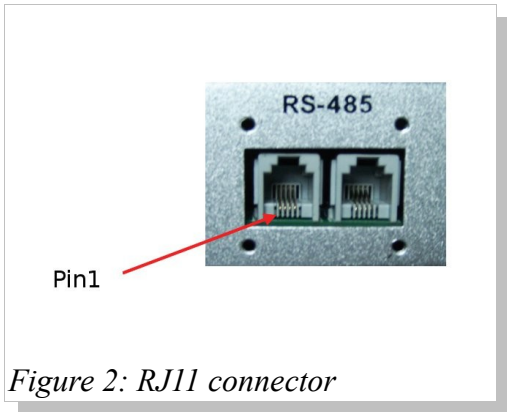


Figure 2: RJ11 connector

Pin	COM-Plug	Solar-Log™ RS422	Pin
1	TX+	Data + (RX)	5
2	TX-	Data - (RX)	6
3	RX+	Data+ (TX)	1
4	RX-	Data+ (TX)	4